

# Desiccant Membrane Dryer

- Removes only water vapor from gas stream
- Dries continuously with no moving parts
- Can process almost any gas
- Extreme corrosion resistance
- Compact, flexible design
- No electricity required for drying



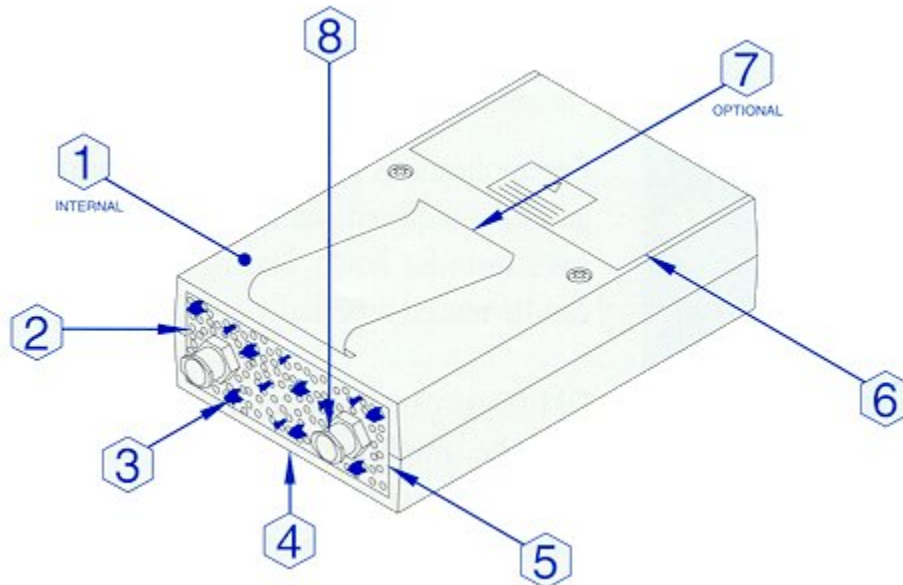
For applications requiring portability, this dryer is ideal. No pumps or purge gases are required, yet the cigarette pack-sized dryer removes water vapor from a flowing gas stream for hours, leaving other components in the gas stream unaffected. The dryer can be reused repeatedly and can be recharged in moments by replacing its desiccant.

Desiccant/Membrane gas dryers combine the selectivity of Nafion<sup>®</sup> gas dryers with the simplicity of desiccant canister dryers. Gaseous sample flowing through the dryer contacts only Nafion tubing, which very selectively absorbs water vapor from the gas while quantitatively retaining the remaining sample components in the gas stream. Typically water passes through the Nafion tubing wall and is carried away by a dry purge gas; instead, in our dryers, desiccant packed around the tubing provides a dry purge environment.



**AEI Technologies, Inc.**

520 East Ogden Avenue • Naperville, IL 60563  
[1] 800-793-7751 • [1] 630-548-3545 • f:[1] 630-548-3546  
[sales@aeitechnologies.com](mailto:sales@aeitechnologies.com) • [www.aeitechnologies.com](http://www.aeitechnologies.com)



1. Nafion tubing membrane with protective braiding
2. Molecular Sieve desiccant
3. Color change indicator media
4. Clear plastic window
5. Molded impact-resistant ABS plastic case
6. Snap lock door for easy removal and replacement of desiccant media
7. Optional spring metal clip (No longer available)
8. Female luer lock gas connection fittings

<b>Drying Tube</b>	Nafion, 24" length, 0.110" O.D., 0.085" I.D. Internal Volume = 2.3cc.
<b>Protective Braiding</b>	Polypropylene Monofilament, 0.015" Diameter
<b>Desiccant</b>	5.5 oz. Molecular Sieve with Indicator
<b>Housing</b>	Molded ABS, 5.0" x 2.75" x 1.5"
<b>Connections</b>	Female Luer Lock and Slip Luer
<b>Flow Rates</b>	Up to 1 L/min.
<b>Drying Efficiency</b>	Down to -30°C Dew Point
<b>Drying per Charge</b>	150 Liters per Desiccant Refill